

LSACT35-R Accessory connector

Screw type, 0.3 to 2.0 mm², Screw latch, Ring Terminal screw-up type, 17 pins, with 200 Ω resistor, for analog input (8 points)

Summary



- * Wire holding structure : Screw type
- * Wire size : 0.3 to 2.0 mm²
- * Accessory connector rock : Screw Fixing method
- * Number of pins : 17
- * Connection : 8 ch: AI (LSAIM01)

Specifications

| ITEM | | SPECIFICATION |
|--|---|---|
| Classification | 17 pins Ring Terminal screw-up type LSAIM01 only*1 | |
| Connection Type | AI (LSAIM01 only): 8 ch (with 200 Ω resistor) | |
| Attachment position on the IOM Backplane | Right side | |
| Tightening torque (to the IOM Backplane) | 0.2 to 0.25 Nm (Recommendation) | |
| Number of pins | 17 | |
| Pitch | 10 mm | |
| Wire holding structure | Screw type | |
| Screw size | M3.5 | |
| Tightening torque | Recommendation 0.7 Nm, Maximum 1.0 Nm | |
| Power supply (IEC) | 7 A | |
| Rated current (IEC) | 35 mA | |
| Dielectric strength | 2000 V AC (Between neighbor pins) | |
| Wire size | Solid/Flexible: 0.3 to 2.0 mm ² (AWG 22 to AWG 15) | |
| Stripping length | Ring terminal diameter is less than 8 mm | |
| Flamability class UL94 | V-2 | |
| Environmental conditions | Ambient temperature | (Operating) -5 to 60°C (Storage) -25 to 55°C |
| | Ambient humidity | (Operating) Less than 85% RH (No condensation) (Storage) Less than 80% RH (No condensation) |
| Weight | 0.13 kg | |
| Dimensions | 41.6 mm (D) x 59.0 mm (H) x 102 mm (W) (Except projection) | |

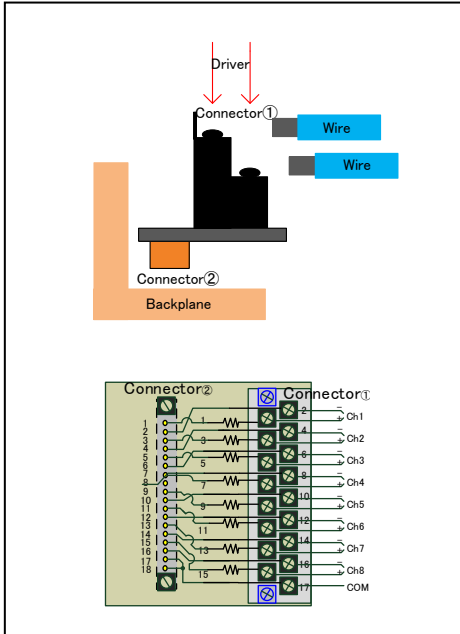
*1: screw-up type: It is a terminal block of screw dropout prevention function type.

About compliant module type:

For compliant modules of this product, please refer to "Compliant accessory connector list (CGS-S9902-E-XX)".

LSACT35-R Accessory connector

Screw type, 0.3 to 2.0 mm², Screw latch, Ring Terminal screw-up type, 17 pins, with 200 Ω resistor, for analog input (8 points)



When using, please read the instruction manual attached to the product carefully and use it properly.

This catalog may not be distributed or reproduced in whole or in part without permission.

Please be aware that due to product improvements and modifications, the product description in this catalog may differ in certain respects from the actual product.

DIASYS Netmatation/DIASYS Netmatation4S is a registered trademark of Mitsubishi Heavy Industries, Ltd.

The service names and product names of other companies described in this catalog are the trademarks or registered trademarks of each company.

LFACT35-L Accessory connector

Screw type, 0.3 to 2.0 mm², Screw latch, Ring Terminal screw-up type, 17 pins, with 200 Ω resistor, for analog input (8 points)

■ Summary



| | | |
|-----------------------------------|---|----------------------------|
| * Wire holding structure | : | Screw type |
| * Wire size | : | 0.3 to 2.0 mm ² |
| * Accessory connector rock | : | Screw Fixing method |
| * Number of pins | : | 17 |
| * Connection | : | 8 ch: AI (LSAIM01) |

■ Specifications

| ITEM | | SPECIFICATION |
|--|---------------------|---|
| Classification | | 17 pins Ring Terminal screw-up type LSAIM01 only*1 |
| Connection Type | | AI (LSAIM01 only): 8 ch (with 200 Ω resistor) |
| Attachment position on the IOM Backplane | | Left side |
| Tightening torque (to the IOM Backplane) | | 0.2 to 0.25 Nm (Recommendation) |
| Number of pins | | 17 |
| Pitch | | 10 mm |
| Wire holding structure | | Screw type |
| Screw size | | M3.5 |
| Tightening torque | | Recommendation 0.7 Nm, Maximum 1.0 Nm |
| Power supply (IEC) | | 7 A |
| Rated current (IEC) | | 35 mA |
| Dielectric strength | | 2000 V AC (Between neighbor pins) |
| Wire size | | Solid/Flexible: 0.3 to 2.0 mm ² (AWG 22 to AWG 15) |
| Stripping length | | Ring terminal diameter is less than 8 mm |
| Flamability class UL94 | | V-2 |
| Environmental conditions | Ambient temperature | (Operating) -5 to 60°C (Storage) -25 to 55°C |
| | Ambient humidity | (Operating) Less than 85% RH (No condensation) (Storage) Less than 80% RH (No condensation) |
| Weight | | 0.13 kg |
| Dimensions | | 41.6 mm (D) x 59.0 mm (H) x 102 mm (W) (Except projection) |

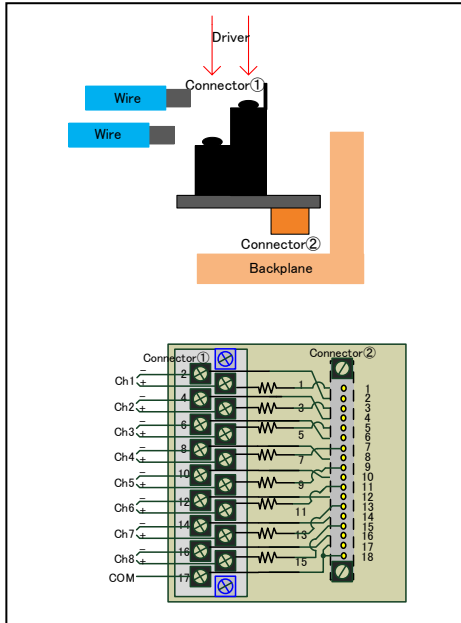
*1: screw-up type: It is a terminal block of screw dropout prevention function type.

About compliant module type:

For compliant modules of this product, please refer to "Compliant accessory connector list (CGS-S9902-E-XX)".

LSACT35-L Accessory connector

Screw type, 0.3 to 2.0 mm², Screw latch, Ring Terminal screw-up type, 17 pins, with 200 Ω resistor, for analog input (8 points)



When using, please read the instruction manual attached to the product carefully and use it properly.

This catalog may not be distributed or reproduced in whole or in part without permission.

Please be aware that due to product improvements and modifications, the product description in this catalog may differ in certain respects from the actual product.

DIASYS Netmation/DIASYS Netmation4S is a registered trademark of Mitsubishi Heavy Industries, Ltd.

The service names and product names of other companies described in this catalog are the trademarks or registered trademarks of each company.