

# LSACT16-R Accessory connector

Screw type, 0.25 to 2.5 mm<sup>2</sup>, Screw latch, 16 pins with RTD (Between 15 to 16 pin)

## Summary



* Wire holding structure	: Screw type
* Wire size(ferrule)	: 0.25 to 2.5 mm <sup>2</sup>
* Accessory connector rock method	: Screw Fixing
* Number of pins	: 16
* RTD	: 1 (Between 15 to 16 pin)

## Specifications

ITEM	SPECIFICATION
Classification	16 pins with RTD
Connection Type	Built-in RTD (Between 15 to 16 pin)
Attachment position on the IOM Backplane	Right side
Tightening torque (to the IOM Backplane)	0.2 to 0.25 Nm (Recommendation)
Number of pins	16
Pitch	5.08 mm
Wire holding structure	Screw type
Screw size	M3
Tightening torque	Minimum 0.5 Nm, Maximum 0.6 Nm
Power supply (IEC)	50 V DC* <sup>1</sup>
Rated current (IEC)	3 A
Dielectric strength	510 V AC (Between neighbor pins)* <sup>1</sup>
Wire size	Wire end ferrule with isolation cover 0.25 to 2.5 mm <sup>2</sup> (AWG 23 to AWG 14)
	Flexible 0.2 to 2.5 mm <sup>2</sup> (AWG 24 to AWG 14)
Stripping length	8 mm
Flamability class UL94	V-0
Environmental conditions	Ambient temperature (Operating) -5 to 60°C (Storage) -40 to 70°C
	Ambient humidity (Operating) Less than 85% RH (No condensation) (Storage) Less than 85% RH (No condensation)
Weight	0.07 kg
Dimensions	27.1 mm (D) x 39.9 mm (H) x 102.0 mm (W) (Except projection)

\*1:(Caution) Applied voltage of the connector pin is the rating voltage or less.

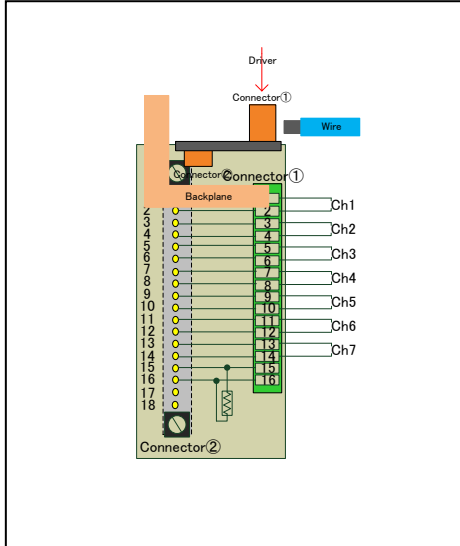
15 pin and 16 pin of the connector have internal RTD. Therefore, don't connect the wire and apply the voltage from the outside.

About compliant module type:

For compliant modules of this product, please refer to "Compliant accessory connector list (CGS-S9902-E-XX)".

# LSACT16-R Accessory connector

Screw type, 0.25 to 2.5 mm<sup>2</sup>, Screw latch, 16 pins with RTD (Between 15 to 16 pin)



When using, please read the instruction manual attached to the product carefully and use it properly.

This catalog may not be distributed or reproduced in whole or in part without permission.

Please be aware that due to product improvements and modifications, the product description in this catalog may differ in certain respects from the actual product.

DIASYS Netmotion/DIASYS Netmotion4S is a registered trademark of Mitsubishi Heavy Industries, Ltd.

The service names and product names of other companies described in this catalog are the trademarks or registered trademarks of each company.

# LSACT16-L Accessory connector

Screw type, 0.25 to 2.5 mm<sup>2</sup>, Screw latch, 16 pins with RTD (Between 15 to 16 pin)

## Summary



* Wire holding structure	: Screw type
* Wire size(ferrule)	: 0.25 to 2.5 mm <sup>2</sup>
* Accessory connector rock method	: Screw Fixing method
* Number of pins	: 16
* RTD	: 1 (Between 15 to 16 pin)

## Specifications

ITEM		SPECIFICATION
Classification		16 pins with RTD
Connection Type		Built-in RTD (Between 15 to 16 pin)
Attachment position on the IOM Backplane		Left side
Tightening torque (to the IOM Backplane)		0.2 to 0.25 Nm (Recommendation)
Number of pins		16
Pitch		5.08 mm
Wire holding structure		Screw type
Screw size		M3
Tightening torque		Minimum 0.5 Nm, Maximum 0.6 Nm
Power supply (IEC)		50 V DC*1
Rated current (IEC)		3 A
Dielectric strength		510 V AC (Between neighbor pins)*1
Wire size		Wire end ferrule with isolation cover 0.25 to 2.5 mm <sup>2</sup> (AWG 23 to AWG 14)
		Flexible 0.2 to 2.5 mm <sup>2</sup> (AWG 24 to AWG 14)
Stripping length		8 mm
Flamability class UL94		V-0
Environmental conditions	Ambient temperature	(Operating) -5 to 60°C (Storage) -40 to 70°C
	Ambient humidity	(Operating) Less than 85% RH (No condensation) (Storage) Less than 85% RH (No condensation)
Weight		0.07 kg
Dimensions		27.1 mm (D) x 39.9 mm (H) x 102.0 mm (W) (Except projection)

\*1:(Caution) Applied voltage of the connector pin is the rating voltage or less.

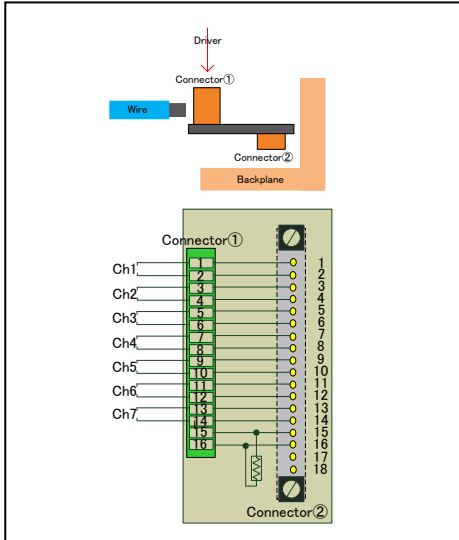
15 pin and 16 pin of the connector have internal RTD. Therefore, don't connect the wire and apply the voltage from the outside.

About compliant module type:

For compliant modules of this product, please refer to "Compliant accessory connector list (CGS-S9902-E-XX)".

# LSACT16-L Accessory connector

Screw type, 0.25 to 2.5 mm<sup>2</sup>, Screw latch, 16 pins with RTD (Between 15 to 16 pin)



When using, please read the instruction manual attached to the product carefully and use it properly.

This catalog may not be distributed or reproduced in whole or in part without permission.

Please be aware that due to product improvements and modifications, the product description in this catalog may differ in certain respects from the actual product.

DIASYS Netmation/DIASYS Netmation4S is a registered trademark of Mitsubishi Heavy Industries, Ltd.

The service names and product names of other companies described in this catalog are the trademarks or registered trademarks of each company.