

LSADB01 I/O adapter backplane

For IOA/SCG/NPS Supports 2 modules

■ Summary



- *IOA module backplane : Supports 2 modules
- SCG module backplane
- NPS module backplane

- *Power supply : DC 24 V

LSADB01 I/O adapter backplane

For IOA/SCG/NPS Supports 2 modules

■ Specifications

ITEM		SPECIFICATION
Power supply	Power supply	DC 24 V \pm 20%
	Input method	Power receive of the independent 2 line
Communication method		LVDS
Power connector	Number of connectors	2
	Rated current	10 A
	Applicable wire	0.2–2.5 mm ² (AWG24–AWG13)
	Wire holding structure	Screw type (M2.5)
	Stripping length	7 mm
Tightening torque		0.4 to 0.5 Nm
External interface		IOA module connector : 2 DC 24 V power connector : 2 Node setup card : 1 Alarm connector : 1
Environmental conditions	Module ambient temperature	(Operating) –5 to 60°C (Storage) –40 to 85°C
	Module ambient humidity	(Operating / Storage) Less than 95% RH (No condensation)
Vibration		3.5 mm @5 to 8.4 Hz 1 G @8.4 to 150 Hz
Shock		15 G 11 ms
Current consumption		2.1 mA
Weight		0.74 kg
Dimensions		42.5 mm (D) x 175.4 mm (H) x 228.4 mm (W) (Except projection)
Standard/Directive		EN 61131-2:2007, RoHS

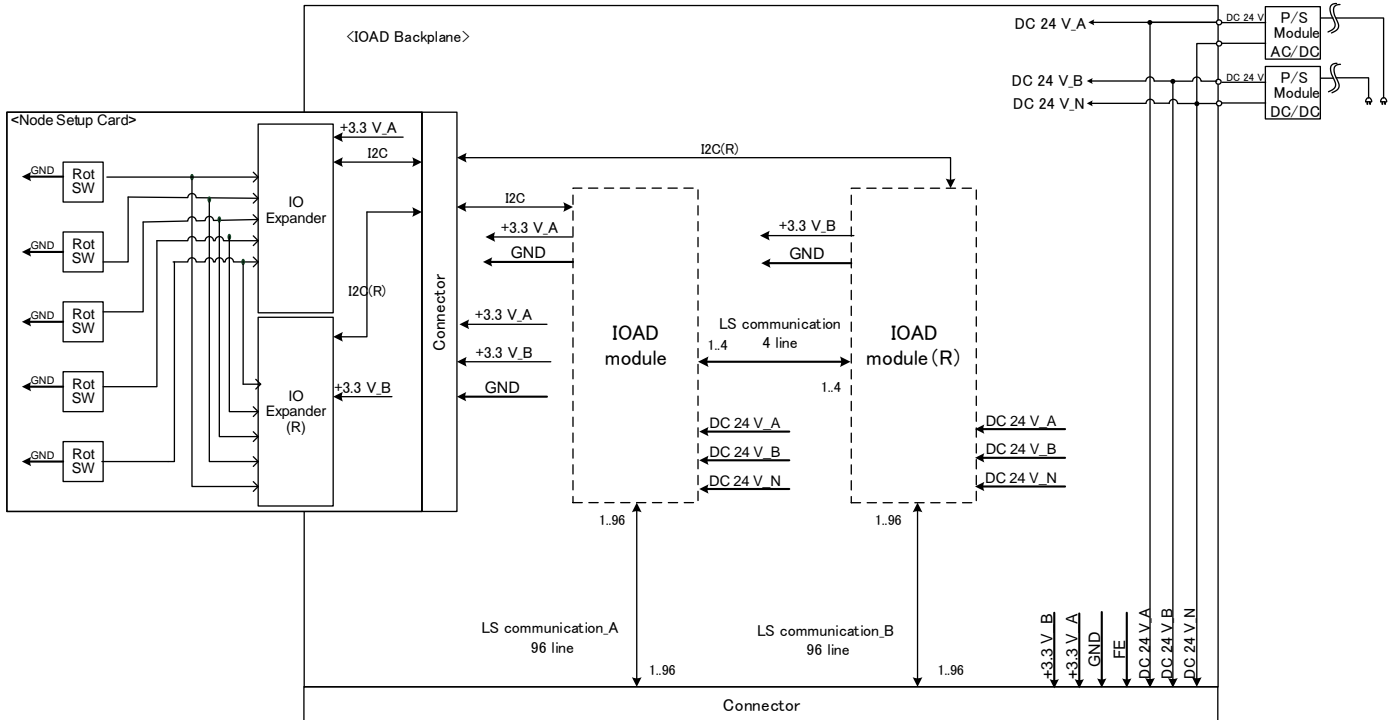
About compliant module type

For compliant modules of this product, please refer to “Compliant backplane list (CGS-S9901-E-XX)”.

LSADB01 I/O adapter backplane

For IOA/SCG/NPS Supports 2 modules

■ Block diagram



(R) : Redundant
P/S : Power Supply
IO_AD : Input/Output Adapter
Rot SW : Rotary Switch
FE : Functional Earth

When using, please read the instruction manual attached to the product carefully and use it properly.

This catalog may not be distributed or reproduced in whole or in part without permission.

Please be aware that due to product improvements and modifications, the product description in this catalog may differ in certain respects from the actual product.

DIASYS Netmation/DIASYS Netmation4S is a registered trademark of Mitsubishi Heavy Industries, Ltd.

The service names and product names of other companies described in this catalog are the trademarks or registered trademarks of each company.