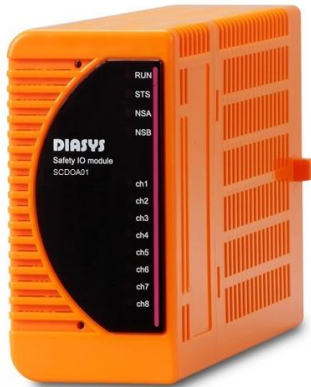


# SCDOA01 Safety DO-DRY (A contact) module

Safety I/O Digital output Dry/'A' type contact 8 ch

## ■ Summary



- \* Number of output channels : 8 ch (Channel individual insulation)
- \* Contact : Dry/ A contact  
(Energize to Close)
- \* Rating contact voltage : DC 24 V  
Switch : 2
- \* User interface : (Front panel upper side : for H/W reset,  
lower side : unused)
- \* Module ambient temperature : -5 to 60°C
- \* In compliance with Functional Safety Standard IEC 61508

# SCDOA01 Safety DO-DRY (A contact) module

Safety I/O Digital output Dry/'A' type contact 8 ch

## ■ Specifications

ITEM		SPECIFICATION
Output	Number of channels	8 ch (Channel individual insulation)
	Contact	Dry, A contact (Energize to Close)
	Rating contact voltage	DC 24 V (MAX 60 V)
	Delay	Less than 500 usec
	Rated current	1 A (Continuous)
	Leakage current	1 mA or less @ DC 24 V
	Safe state	Terminal contacts open(De-energized "Open" contact) , Communication cutoff
Data refresh cycle	2 msec	
AD conversion type	$\Delta\Sigma$ , Successive approximation register (SAR)	
Isolation voltage	AC 500 V Internal circuit (CPU/FPGA) - I/O terminal	
	AC 500 V I/O terminal - PE	
	DC 200 V Between I/O channels	
User interface	Switch	2 (Front panel upper side : for H/W reset, lower side : unused)
Self diagnosis	Redundant I/O circuit comparison check	
	Redundant CPU comparison check	
	Quadruplexed A/D converter comparison check	
	ADC stuck check	
	Diverse calculation check	
	Data format check	
	I/O signal range check	
	Watchdog timer	
	Communication timeout check	
	Redundant voltage monitor	
	Clock abnormal check	
	Functional check of the abnormal communication signal	
	TPFS(Temporal Programming Flow Supervision): Loss-of-function check for system timers	
LPFS(Logical Programming Flow Supervision): Loss-of-function check for logical programming flow		
Open-wire/short-circuit check (Detected as read-back error of the output)		
Protection	Electrical	Overvoltage protection Overcurrent protection Double-insulated
	Safety Function	Abnormal communication signal cutoff
Indicators	4 indicators: Power / Status / Network status A / Network status B 8 indicators: IO status for each channel	
Current consumption	189 mA	
Weight	Less than 300 g	
Size	152.5 mm (D) x 94 mm (H) x 46 mm (W) (Protrusions excluded)	
Certification body	TÜV SÜD	
Safety integrity level	(IEC 61508-1)	SIL3
EMC Zone	(EN 61131-2)	B (Dedicated power distribution, rated voltage: 300 V or less)
Overvoltage category	(IEC 60664-1)	II (Energy-consuming equipment to be supplied from the fixed installation)
IEC protection class	(IEC 60204-1)	II (Double insulated)
Isolation method	Channel individual insulation	
Hot-swapping	Supported *However, depending on the field circuit and the application program	
Resolution	16 bit *Two types of AD converters are duplexed.	
Rated voltage	DC 24 V -15% to +20% (The voltage supplied from the backplane)	
Environmental conditions	Module ambient temperature	(Operation) -5 to +60°C (Storage) -25 to +85°C
	Module ambient humidity	(Operating / Storage) 0 to 95% RH (No condensation)
Vibration	3.5 mm at 5 to 8.4 Hz, 1 G at 8.4 to 150 Hz	
Shock	15 G 11 ms	

About compliant module type

For compliant modules of this product, please refer to "Compliant backplane list (CGS-S9901-E-XX)".

For compliant modules of this product, please refer to "Compliant accessory connector list (CGS-S9902-E-XX)".

# SCDOA01 Safety DO-DRY (A contact) module

Safety I/O Digital output Dry/'A' type contact 8 ch

## ■ Supported standards/Supported directives

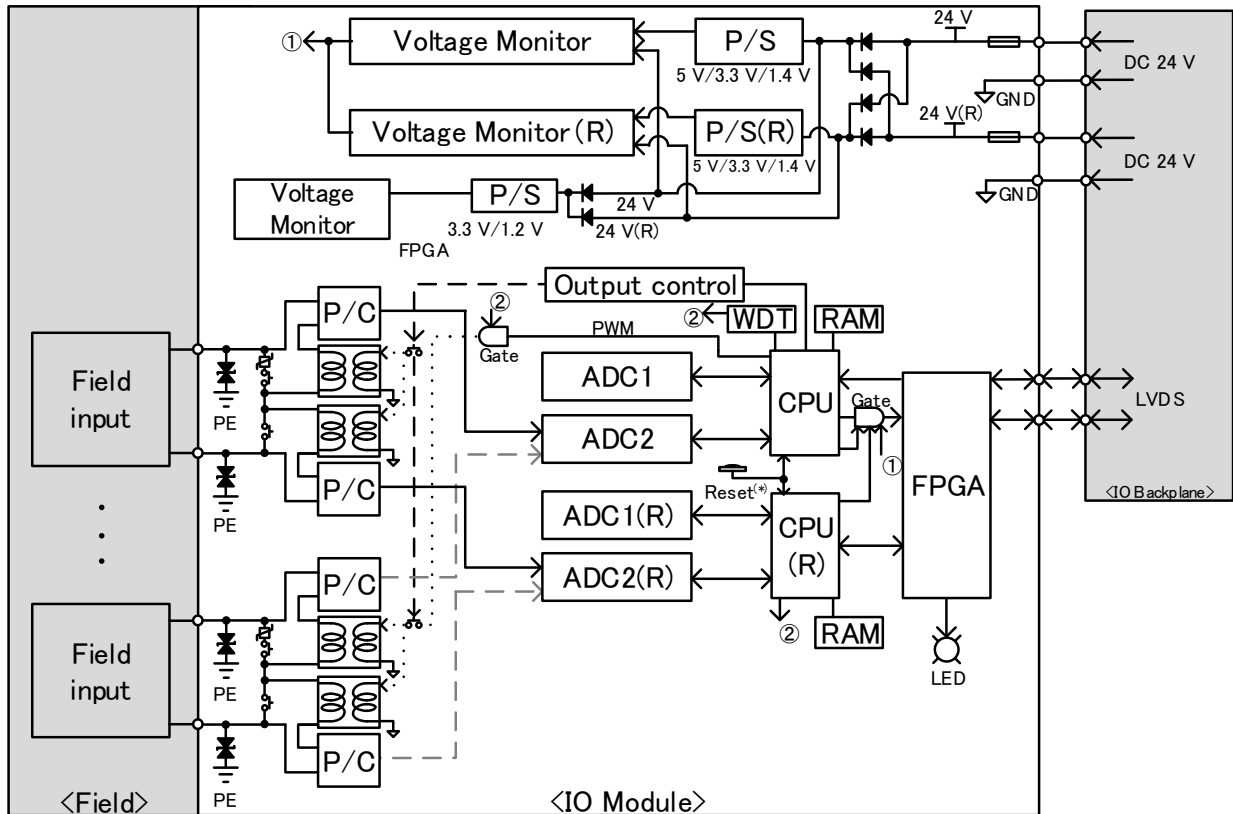
Certified standard	Year	Title
IEC 61508	2010	Functional safety of electrical/electronic/programmable electronic safety-related systems
EN 61131-2	2007	Programmable controllers - Part 2: Equipment requirements and tests
IEC 61131-6	2012	Programmable controllers - Part 6: Functional safety
IEC 61511-1	2004	Functional safety - Safety instrumented systems for the process industry sector - Part 1: Framework, definitions, system, hardware and software requirements,
EN 50156-1	2004	Electrical equipment for furnaces and ancillary equipment - Part 1 : Requirements for application design and installation
ISO 13849-1	2008	Safety of machinery - Safety-related parts of control systems-Part 1:General principles for design
EN 54-2	2007	Fire detection and fire alarm systems Part 2: Control and indicating equipment

Supported directive	Year	Title
RoHS	2011	DIRECTIVE 2011/65/EU OF THE EUROPEAN PARLIAMENT AND OF THE COUNCIL of 27 January 2011 on the restriction of the use of certain hazardous substances in electrical and electronic equipment
Low Voltage	2006	DIRECTIVE 2006/95/EC OF THE EUROPEAN PARLIAMENT AND OF THE COUNCIL of 12 December 2006 on the harmonisation of the laws of Member States relating to Electrical Equipment designed for use within certain voltage limits
EMC	2004	DIRECTIVE 2004/108/EC OF THE EUROPEAN PARLIAMENT AND OF THE COUNCIL of 15 December 2004 on the approximation of the laws of the Member States relating to electromagnetic compatibility and repealing Directive 89/336/EEC
Machinery	2006	DIRECTIVE 2006/42/EC OF THE EUROPEAN PARLIAMENT AND OF THE COUNCIL of 17 May 2006 on machinery, and amending Directive 95/16/EC

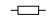


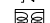
# SCDOA01 Safety DO-DRY (A contact) module

Safety I/O Digital output Dry/'A' type contact 8 ch

## ■ Block diagram



(\*) Indicates the H/W reset switch on the upper side of the front panel.

(R)	: Redundant
P/S	: Power Supply
LVDS	: Low Voltage Differential Signaling
FPGA	: Field Programmable Gate Array
CPU	: Central Processing Unit
RAM	: Random Access Memory
WDT	: Watch Dog Timer
ADC	: Analog Digital Converter
PWM	: Pulse Width Modulation
Gate	: Buffer Gate
LED	: Light Emitting Diode
P/C	: Photo Coupler
GND	: Ground
PE	: Protective Earth
F.S.	: Full Scale
BP	: Backplane
	: Resistor
	: Fuse
	: Zener diode
	: Transformer

When using, please read the instruction manual attached to the product carefully and use it properly.

This catalog may not be distributed or reproduced in whole or in part without permission.

Please be aware that due to product improvements and modifications, the product description in this catalog may differ in certain respects from the actual product.

DIASYS Netmation/DIASYS Netmation4S is a registered trademark of Mitsubishi Heavy Industries, Ltd.

The service names and product names of other companies described in this catalog are the trademarks or registered trademarks of each company.