

FXPDM01 Pulse distributor module

DC 24 V Pulse distributor, 1 input, 8 outputs



■ Outline

- * Number of pulse input : 1
- * Number of pulse outputs : 8
- * 1 pps signal distribution from time server to each MPS for time synchronization.
- * Tact signal distribution from system I/O card (CPDIO03) to SOE modules.

*ControlNet™ is ControlNet International's registered trademark.
*FLEX I/O™ is Rockwell Automation's registered trademark.

ITEM	SPECIFICATION
Number of pulse input	1
Isolation (input)	Opto-isolation
Rated input voltage	DC 24 V
Rated input current	10 mA
Number of pulse outputs	8
Isolation (output)	Opto-isolation
Output	Open collector
Rated output voltage/current	(1794-TBN) DC 250 V/150 mA (1794-TB3) DC 125 V/150 mA
Input/Output delay time	100 μs
Indicator	LED × 1 Power supply indicator Green (Normal) Off (Abnormal) LED × 1 Yellow (ON) Off (OFF)
Compatible terminal bases	1794-TB3/TB3S 1794-TBN/TBNF
Dielectric strength	AC 1500 V Between I/O terminal and FG (1 min.)
Environmental conditions	(Operating) Temperature : 0 to 55°C Humidity : 5 to 95% RH (No condensation) (Storage) Temperature : -40 to 85°C Humidity : 5 to 95% RH (No condensation)
Power supply	DC 24 V ±10% / Less than 25 mA
Shock/Vibration	15 G / 2 G @ 10 to 500 Hz
Dimensions	75 mm (D) × 46 mm (H) × 94 mm (W)

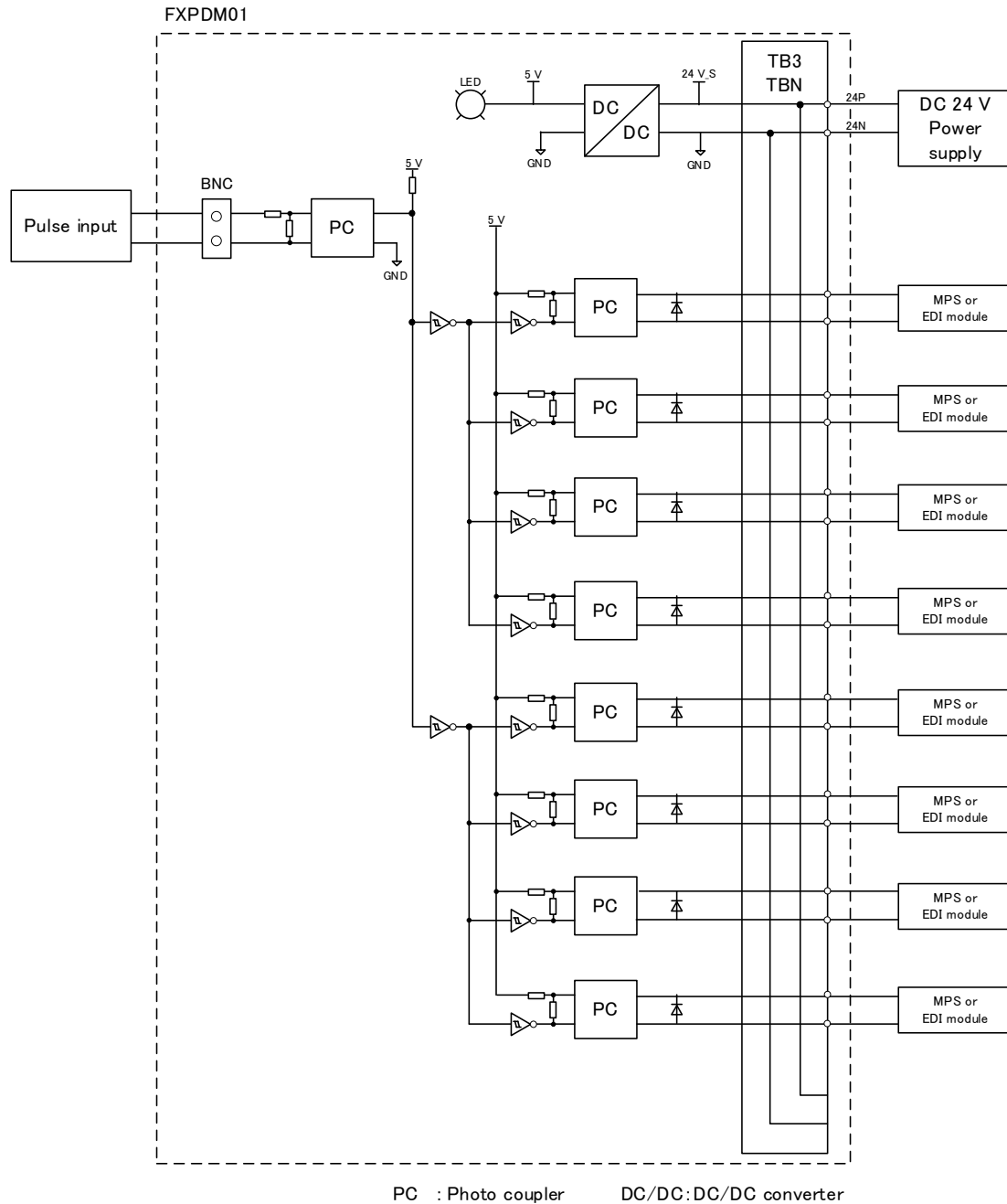
This product uses technology licensed from Rockwell Automation Technologies, Inc.

FXPDM01 Pulse distributor module

DC 24 V Pulse distributor, 1 input, 8 outputs

*ControlNet™ is ControlNet International's registered trademark.
*FLEX I/O™ is Rockwell Automation's registered trademark.

FXPDM01 block diagram



When using, please read the instruction manual attached to the product carefully and use it properly.

This catalog may not be distributed or reproduced in whole or in part without permission.

Please be aware that due to product improvements and modifications, the product description in this catalog may differ in certain respects from the actual product.

DIASYS Netmation/DIASYS Netmation4S is a registered trademark of Mitsubishi Heavy Industries, Ltd.

The service names and product names of other companies described in this catalog are the trademarks or registered trademarks of each company.