

FXEDIO1A Event DI module

ControlNet™ FLEX I/O™ DC 24 V event inputs : 8

*ControlNet™ is ControlNet International's registered trademark.
*FLEX I/O™ is Rockwell Automation's registered trademark.



■ Outline

- * Number of inputs : 8
- * Time resolution : 1 msec
- * Rated input voltage : DC 24 V
- * FLEX I/O™ / ControlNet™ LAN compatible

| ITEM | SPECIFICATION |
|---------------------------|----------------------------------------------------------------------------------------------------------------------------------------------------------------------|
| Number of inputs | 8 0 to 6 ch : Event signal input 7 ch : Tact signal input |
| Isolation | Opto-isolation Current sourcing input with a (-)common return |
| Rated input voltage | DC 24 V |
| Rated input current | 5 mA |
| Minimum ON current | 1.8 mA |
| Input filter | Digital filter 0 ms, 5 ms, 10 ms, 50 ms (Program selectable, whole channels batch setting) |
| Self-diagnostic functions | Watchdog timer Power supply voltage low Bus time-out |
| Indicator | LED × 1 2 modes Green (Normal) Red (Abnormal) LED × 8 Yellow (ON) Off (OFF) |
| Compatible terminal bases | 1794-TB3/TB3S 1794-TBN/TBNF |
| Dielectric strength | AC 1500 V Between input terminal and FG (1 min.) |
| Environmental conditions | (Operating) Temperature: 0 to 55°C Humidity: 5 to 95% RH (No condensation) (Storage) Temperature: -40 to 85°C Humidity: 5 to 95% RH (No condensation) |
| Power supply | DC 24 V ±10% / Less than 60 mA DC 5 V / Less than 80 mA (FLEX BUS) |
| Shock/Vibration | 15 G / 2 G @ 10 to 500 Hz |
| Dimensions | 75 mm (D) × 46 mm (H) × 94 mm (W) |

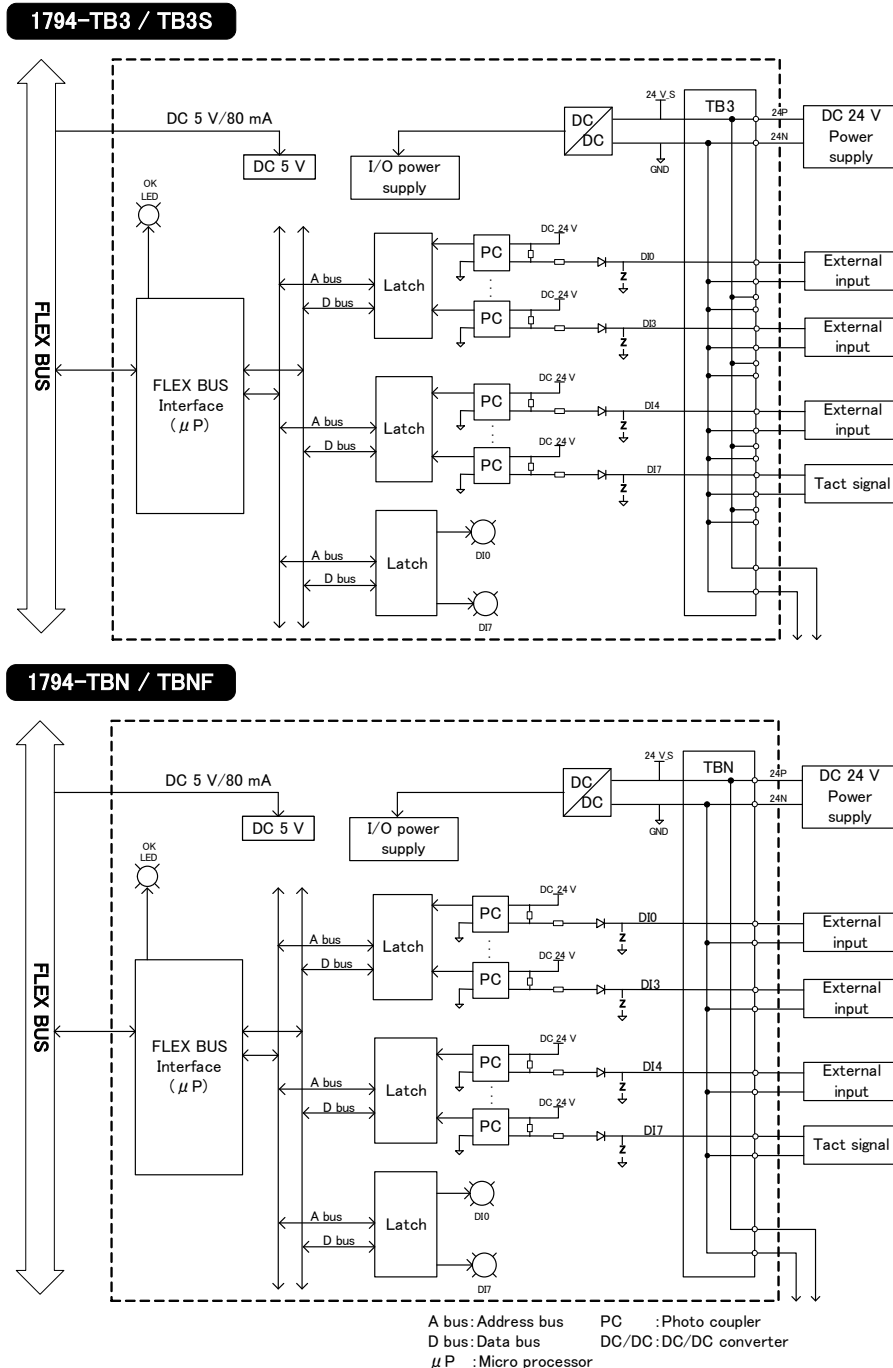
This product uses technology licensed from Rockwell Automation Technologies, Inc.

FXEDIO1A Event DI module

ControlNet™ FLEX I/O™ DC 24 V event inputs : 8

*ControlNet™ is ControlNet International's registered trademark.
*FLEX I/O™ is Rockwell Automation's registered trademark.

FXEDIO1A block diagram



When using, please read the instruction manual attached to the product carefully and use it properly.

This catalog may not be distributed or reproduced in whole or in part without permission.

Please be aware that due to product improvements and modifications, the product description in this catalog may differ in certain respects from the actual product.

DIASYS Netmation/DIASYS Netmation4S is a registered trademark of Mitsubishi Heavy Industries, Ltd.

The service names and product names of other companies described in this catalog are the trademarks or registered trademarks of each company.