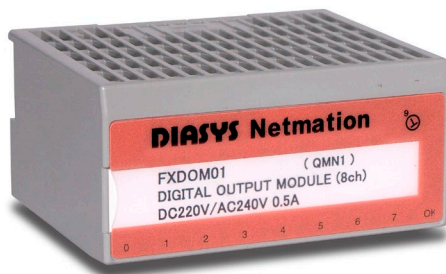


FXDOM01 DO module

ControlNet™ FLEX I/O™ outputs : 8



■ Outline

- * Number of outputs : 8
- * FLEX I/O™ / ControlNet™ LAN compatible

*ControlNet™ is ControlNet International's registered trademark.
*FLEX I/O™ is Rockwell Automation's registered trademark.

ITEM	SPECIFICATION
Number of outputs	8
Isolation	Opto-isolation Individual
Contact	MOSFET N.O. PhotoMOS® Relay
Output voltage	(1794-TB3) DC 120 V/AC 120 V 0.5 A (1794-TBN) DC 220 V/AC 230 V 0.5 A
Output leakage current	Maximum 10 μ A
Output ON resistance	Maximum 3.2 Ω
Self-diagnostic functions	Watchdog timer Power supply voltage low Bus time-out
Indicator	LED \times 1 2 modes Green (Normal) Red (Abnormal) LED \times 8 Yellow (ON) Off (OFF)
Compatible terminal bases	1794-TB3/TB3S 1794-TBN/TBNF
Dielectric strength	AC 1500 V Between output terminal and FG (1 min.) Between output channels (1 min.)
Environmental conditions	(Operating) Temperature: 0 to 55°C Humidity: 5 to 95% RH (No condensation) (Storage) Temperature: -40 to 85°C Humidity: 5 to 95% RH (No condensation)
Power supply	DC 24 V \pm 10% / Less than 40 mA DC 5 V / Less than 80 mA (FLEX BUS)
Shock/Vibration	15 G / 2 G @ 10 to 500 Hz
Dimensions	75 mm (D) \times 46 mm (H) \times 94 mm (W)

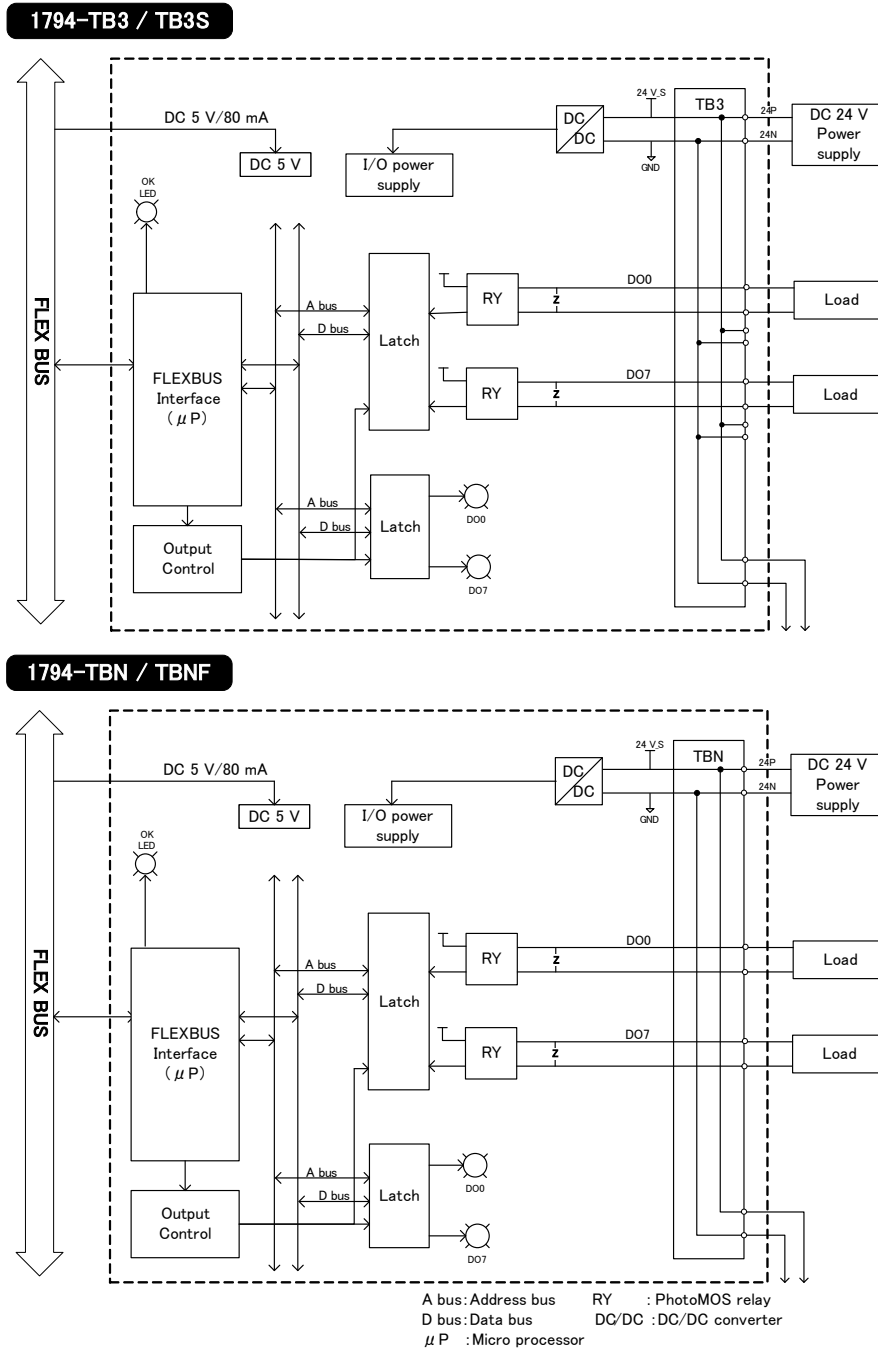
This product uses technology licensed from Rockwell Automation Technologies, Inc.

FXDOM01 DO module

ControlNet™ FLEX I/O™ outputs : 8

*ControlNet™ is ControlNet International's registered trademark.
*FLEX I/O™ is Rockwell Automation's registered trademark.

FXDOM01 block diagram



When using, please read the instruction manual attached to the product carefully and use it properly.

This catalog may not be distributed or reproduced in whole or in part without permission.

Please be aware that due to product improvements and modifications, the product description in this catalog may differ in certain respects from the actual product.

DIASYS Netmation/DIASYS Netmation4S is a registered trademark of Mitsubishi Heavy Industries, Ltd.

The service names and product names of other companies described in this catalog are the trademarks or registered trademarks of each company.