

FXCPU08 CPU module

FLEX I/O™ CPU module, maximum 40 I/O modules correspondence, CAN Communication supported

*FLEX I/O™ is Rockwell Automation's registered trademark.



■ Outline

- * Micro processor (SH-4)
- * 128 Mbytes SDRAM (ECC)
- * FLEX I/O™ bus interface
- * FLEX I/O™ extension bus interface
- * Ethernet interface × 3
- * CAN interface × 2
- * EIA/RS-232C interface × 1
- * CPU self-diagnostic function
- * CPU status indication
- * System status indication
- * Duplicated correspondence

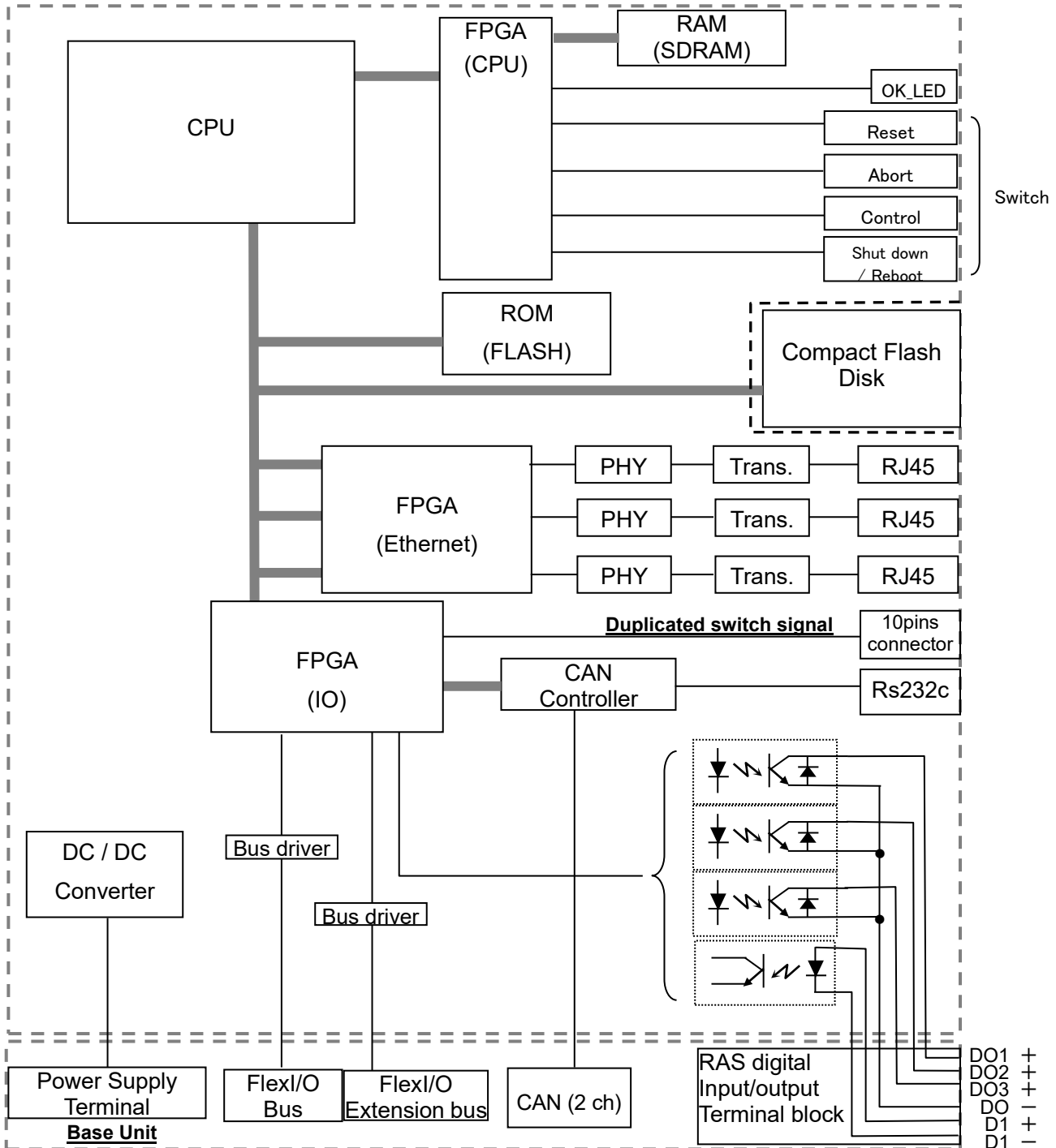
ITEM	SPECIFICATION
Number of Maximum connectable I/O module	40 (Using FXADP02)
CPU	SH-4 micro processor
CPU clock	240 MHz
CPU external bus clock	33 MHz
Boot ROM	512 KB
Compact Flash	64 MB to 256 MB (IDE bus mode) 256 MB standard (Must use our designated products)
Main memory	128 MB (SDRAM) standard implementation with ECC
Data protection function	ECC (1 bit error auto correction) mode standard
Interface	<ul style="list-style-type: none"> - FLEX I/O™ bus I/F × 1 - FLEX I/O™ extension bus I/F × 1 - Ethernet I/F × 3 (10/100Base-TX) - CAN I/F × 2 - Serial I/F × 1 (EIA/RS-232C) - RAS digital input × 1 (Photo coupler isolation, Maximum DC 48 V, 5.6 mA) - RAS digital output × 3 (Photo coupler isolation, Maximum DC 48 V, 120 mA)
CPU self-diagnostic functions	<ul style="list-style-type: none"> CPU watchdog timer Power supply monitoring Connector monitoring Clock monitoring
CPU status indication (OK_LED)	<ul style="list-style-type: none"> CPU control mode (Green) CPU standby mode (Yellow) CPU offline mode (Red) CPU abnormal mode (Off)
System status indication (LED12-LED14)	<ul style="list-style-type: none"> CPU Abnormal (LED12 Fast Blinking) CPU Failure (LED12 Slow Blinking) (Acquiring dump file (Blinking))
User interface	<ul style="list-style-type: none"> Push button (for operation) <ul style="list-style-type: none"> · RESET · ABORT · Control switch · Shut down / Reboot
Internal bus	PCIBUS compatible
Environmental conditions	<ul style="list-style-type: none"> (Operating) <ul style="list-style-type: none"> Temperature: 0 to 65°C Humidity: 10 to 95% RH (No condensation) (Storage) <ul style="list-style-type: none"> Temperature: -25 to 80°C Humidity: 10 to 95% RH (No condensation)
Power supply	DC 24 V ±10% / typ. 1.0 A
Dimensions	<ul style="list-style-type: none"> Module <ul style="list-style-type: none"> 140 mm (D) × 46 mm (H) × 94 mm (W) Base unit <ul style="list-style-type: none"> 38 mm (D) × 92 mm (H) × 94 mm (W) (Including protrusions)

FXCPU08 CPU module

FLEX I/O™ CPU module, maximum 40 I/O modules correspondence, CAN Communication supported

*FLEX I/O™ is Rockwell Automation's registered trademark.

FXCPU08 Block diagram



When using, please read the instruction manual attached to the product carefully and use it properly.

This catalog may not be distributed or reproduced in whole or in part without permission.

Please be aware that due to product improvements and modifications, the product description in this catalog may differ in certain respects from the actual product.

DIASYS Netmation/DIASYS Netmation4S is a registered trademark of Mitsubishi Heavy Industries, Ltd.

The service names and product names of other companies described in this catalog are the trademarks or registered trademarks of each company.